

Safety Air Guns

Safety Air Guns use engineered air nozzles for high performance!



Why EXAIR Safety Air Guns?

Inexpensive air guns are sold through many catalogs and industrial supply companies. Most have triggers or other parts that break quickly. The performance is similar to open pipe, where they simply blow a lot of compressed air. In addition to the high air consumption, many produce noise levels that violate OSHA requirements. Some even generate dangerous dead end pressures that can result in serious or fatal injuries if blocked.

EXAIR's Safety Air Guns eliminate these problems. They are durable and comfortable to use. Each model uses an engineered Air Nozzle that provides superior performance by entraining large volumes of surrounding air. Safe operation is assured along with low air consumption and noise levels.

Selecting The Right Safety Air Gun

The pages that follow show four Safety Air Guns. The Soft Grip and Heavy Duty Safety Air Guns are available with a variety of air nozzles (listed in order of force). Those with stainless steel air nozzles provide higher mechanical wear while withstanding corrosion and high temperatures. Air consumption, force and sound level are shown for all models. Complete details for each Air Nozzle are shown on pages 43-52.



Precision Safety Air Gun is extremely lightweight and the most comfortable to operate during periods of extended use. The small diameter nozzle and extension will fit into tight spaces while providing strong blowing force.



Soft Grip Safety Air Gun has a durable cast aluminum body that is suited for rugged industrial use. The ergonomic design has a large trigger for easy operation and a convenient hanger hook for easy storage. Extension Pipes and Stay Set Hoses for hard to reach areas are available.



Heavy Duty Safety Air Gun is a powerful air gun with a durable cast aluminum body that is best suited for heavy use in rugged industrial environments. The ergonomic composite rubber grip and wide curved trigger can be used for hours without fatigue. Extension Pipes for hard to reach areas are available.



Super Blast Safety Air Guns provide the strongest blowing force - ideal for long distance, wide area blowoff, cooling and drying applications. The comfortable foam rubber handle provides a firm grip. The spring-loaded valve instantly shuts off the air supply if the air gun is dropped.

Safety Air Guns



Precision Safety Air Gun

EXAIR'S new Precision Safety Air Gun is extremely lightweight and the most comfortable to operate during periods of extended use. The highly focused, forceful blast of airflow provides excellent cleaning ability and is suited to a wide range of industrial applications. This safety air gun has a small diameter nozzle and extension that will fit into tight spaces while packing the punch of strong blowing force. The sleek profile is a perfect fit for small and large hands alike.

The Precision Safety Air Gun uses EXAIR's new Nano Super Air Nozzle that has been engineered to maximize entrainment of room air while minimizing compressed air consumption. It has a rugged Type 316 stainless steel construction that ejects the compressed air through a series of holes located in recessed grooves on the nozzle surface. Safe operation is assured since the airflow that exits the nozzle can not be blocked, as required by OSHA standard 1910.242(b). The 75 dBA noise level is a fraction of ordinary air guns and well below the limits of the OSHA maximum allowable noise exposure standard 29 CFR 1910.95(a).

The Precision Safety Air Gun has a high impact, glass reinforced nylon plastic construction. The ergonomic design keeps the hand in a comfortable position and incorporates a large trigger grip that permits operation with one or more fingers. A hanger is provided for convenient storage or mounting to a tool balancer. The inlet is 1/4 NPT.



Model 1410SS
Nozzle: 1110SS Nano Super Air Nozzle

Air Consumption		Force*		Sound Level
SCFM	SLPM	Ozs	Grams	dBa
8.3	235	8.1	230	75

*Force measured at 12" (305mm) from target. Sound level measured at 3' (914mm). All measurements taken at 80 PSIG (5.5 BAR).

Safety Air Guns

Soft Grip Safety Air Gun

EXAIR'S Soft Grip Safety Air Gun is ideal for hours of continuous use without fatigue. The ergonomic design keeps the hand in a comfortable position and incorporates a large trigger that permits operation with one or more fingers. The durable cast aluminum body is suited for rugged industrial use and includes a convenient hanger hook for easy storage. The Soft Grip Safety Air Gun is available with Air Nozzles as shown for quiet, safe and efficient use of the compressed air supply. Aluminum Extension Pipes and Stay Set Hoses that can reach normally inaccessible areas are available for most models. The inlet is 1/4 NPT.



Model 1210 SG Safety Air Gun
Nozzle: 1100 Super Air Nozzle

Air Consumption		Force*		Sound Level
SCFM	SLPM	Ozs	Grams	dBa
14	396	13	368	74

*Force measured at 12" (305mm) from target. Sound level measured at 3' (914mm). All measurements taken at 80 PSIG (5.5 BAR).



Model 1210SS SG Safety Air Gun
Nozzle: 1100SS Super Air Nozzle

The Model 1210SS uses the stainless steel Super Air Nozzle constructed of 316 Stainless Steel for rugged use and corrosion resistance.



Model 1210-PEEK SG Safety Air Gun
Nozzle: 1100-PEEK Super Air Nozzle

The Model 1210-PEEK uses the PEEK Super Air Nozzle for non-marking and chemical resistance.

Add An Extension Pipe Or Stay Set Hose

Add an Extension Pipe or Stay Set Hose to your Soft Grip Safety Air Gun. Here's how:

1. Choose an EXAIR Soft Grip Safety Air Gun.

Example: Model 1210

2. To add an Aluminum Extension Pipe, create the model number by adding a dash number of the appropriate extension length after the model of the Soft Grip Safety Air Gun. (See table below)

Example: The Model 1210 Soft Grip Safety Air Gun with a 12" (305mm) Aluminum Extension Pipe is a Model 1210-12.

3. To add a Stay Set Hose, create the model number by adding a dash number of the appropriate Stay Set Hose after the model of the Soft Grip Safety Air Gun. (See table below)

Example: The Model 1210 Safety Air Gun with a 12" (305mm) Stay Set Hose is a Model 1210-12SSH.



Aluminum Extension Pipe		
All Soft Grip Safety Air Guns with Extension Pipes come fully assembled.		
Model addition #	-6	
Length	6" (152mm)	
-12	-18	-24
12" (305mm)	18" (457mm)	24" (610mm)
-36	-48	-60
36" (914mm)	48" (1219mm)	60" (1524mm)
-72		
72" (1829mm)		



Stay Set Hose		
All Soft Grip Safety Air Guns with Stay Set Hoses come fully assembled.		
Model addition #	-6SSH	
Length	6" (152mm)	
-12SSH	-18SSH	-24SSH
12" (305mm)	18" (457mm)	24" (610mm)
-30SSH	-36SSH	
30" (762mm)	36" (914mm)	

* 1240, 1250, 1260 -Stay Set Hose not available.



Use Model 900750 Coiled Hose

Model 1299 SG Safety Air Gun

Nozzle: 1102/1103 Mini Super Air Nozzle

Also Available: 1299SS with Stainless Steel Mini Super Air Nozzle

Air Consumption		Force*		Sound Level
SCFM	SLPM	Ozs	Grams	dBA
10	283	9	255	71



Use Model 900750 Coiled Hose

Model 1280SS SG Safety Air Gun

Nozzle: 1010SS Micro Air Nozzle

Air Consumption		Force*		Sound Level
SCFM	SLPM	Ozs	Grams	dBA
13	368	12	340	79



Use Model 900750 Coiled Hose

Model 1290 SG Safety Air Gun

Nozzle: 1009 Adjustable Air Nozzle

Also Available: 1290SS with Stainless Steel Adjustable Air Nozzle

Air Consumption		Force*		Sound Level
SCFM	SLPM	Ozs	Grams	dBA
13	368	12	340	79



Use Model 900750 Coiled Hose

Model 1230 SG Safety Air Gun

Nozzle: 1122 2" Super Air Nozzle

Also Available: 1230SS with Stainless Steel 2" Super Air Nozzle

Air Consumption		Force*		Sound Level
SCFM	SLPM	Ozs	Grams	dBA
22	622	22	624	77

Flat air pattern.

.015" (0.38 mm) shim installed



Model 1250 SG Safety Air Gun

Nozzle: 1104 3/8 NPT Super Air Nozzle

Also Available: 1250SS with 3/8 NPT Stainless Steel Super Air Nozzle

Air Consumption		Force*		Sound Level
SCFM	SLPM	Ozs	Grams	dBA
35	991	30	850	82



NEW!

Flat air pattern.

Model HP1230 SG Safety Air Gun

Nozzle: HP1125 High Power Super Air Nozzle

Also Available: HP1230SS with Stainless Steel 2" High Power Super Air Nozzle

Air Consumption		Force*		Sound Level
SCFM	SLPM	lbs	Grams	dBA
37	1039	2.15	1134	83

.025" (.64 mm) shim installed



Model 1240 SG Safety Air Gun

Nozzle: 1111-4 Super Air Nozzle Cluster

Air Consumption		Force*		Sound Level
SCFM	SLPM	lbs	Grams	dBA
56	1585	3.2	1451	82



Model 1260 SG Safety Air Gun

Nozzle: 1106 1/2 NPT Super Air Nozzle

Also Available: 1260SS with 1/2 NPT Stainless Steel Super Air Nozzle

Air Consumption		Force*		Sound Level
SCFM	SLPM	lbs	Grams	dBA
60	1699	3.3	1497	87

*Force measured at 12" (305mm) from target. Sound level measured at 3' (914mm). All measurements taken at 80 PSIG (5.5 BAR).

Safety Air Guns



Heavy Duty Safety Air Gun

Model 1310 Heavy Duty Safety Air Gun
Nozzle: 1100 Super Air Nozzle



EXAIR's Heavy Duty Safety Air Gun is a powerful air gun that delivers high force for use in rugged, industrial environments. The 3/8 NPT compressed air inlet increases the compressed air flow available to the Super Air Nozzle, resulting in higher force and flow than other air guns. The durable cast aluminum body includes an ergonomic composite rubber grip and wide curved trigger that makes it comfortable for hours of use without fatigue. Aluminum Extension Pipes that provide additional reach for inaccessible areas are available. *(Stay Set Hoses are not available.)*



Model 1310SS HD Safety Air Gun
Nozzle: 1100SS Super Air Nozzle
 Type 316 Stainless Steel Super Air Nozzle for rugged use and corrosion resistance.



Model 1310-PEEK HD Safety Air Gun
Nozzle: 1100-PEEK Super Air Nozzle
 PEEK Super Air Nozzle for non-marking and chemical resistance.

Air Consumption		Force*		Sound Level
SCFM	SLPM	Ozs	Grams	dBA
14	396	13	368	74



Safety Air Guns



Model 1330 HD Safety Air Gun
Nozzle: 1122 2" Super Air Nozzle
Also Available: 1330SS with Stainless Steel 2" Super Air Nozzle.

Air Consumption		Force*		Sound Level
SCFM	SLPM	Ozs	Grams	dBA
22	622	22	624	77

.015" (.38 mm) shim installed



Model 1350 HD Safety Air Gun
Nozzle: 1104 3/8 NPT Super Air Nozzle
Also Available: 1350SS with 3/8 NPT Stainless Steel Super Air Nozzle

Air Consumption		Force*		Sound Level
SCFM	SLPM	Ozs	Grams	dBA
35	991	30	850	82



Model HP1330 HD Safety Air Gun
Nozzle: HP1125 High Power Super Air Nozzle
Also Available: HP1330SS with Stainless Steel 2" High Power Super Air Nozzle

Air Consumption		Force*		Sound Level
SCFM	SLPM	lbs	Grams	dBA
37	1039	2.15	1134	83

.025" (.64 mm) shim installed



Model 1340 HD Safety Air Gun
Nozzle: 1111-4 Super Air Nozzle Cluster

Air Consumption		Force*		Sound Level
SCFM	SLPM	lbs	Grams	dBA
56	1585	3.2	1451	82



Model 1360 HD Safety Air Gun
Nozzle: 1106 1/2 NPT Super Air Nozzle
Also Available: 1360SS with 1/2 NPT Stainless Steel Super Air Nozzle

Air Consumption		Force*		Sound Level
SCFM	SLPM	lbs	Grams	dBA
60	1699	3.3	1497	87

*Force measured at 12" (305mm) from target. Sound level measured at 3' (914mm). All measurements taken at 80 PSIG (5.5 BAR).

Add An Extension Pipe

Add an Extension Pipe to your Heavy Duty Safety Air Gun. Here's how:

1. Choose an EXAIR Heavy Duty Safety Air Gun.
Example: Model 1310
2. To add an Aluminum Extension Pipe, create the model number by adding a dash number of the appropriate extension length after the model of the Heavy Duty Safety Air Gun. (See table below)
Example: The Model 1310 Heavy Duty Safety Air Gun with a 12" (305mm) Aluminum Extension Pipe is a Model 1310-12.



Aluminum Extension Pipe

All Heavy Duty Safety Air Guns with Extension Pipes come fully assembled.

Model addition #	-6	
Length	6" (152mm)	
-12	-18	-24
12" (305mm)	18" (457mm)	24" (610mm)
-36	-48	-60
36" (914mm)	48" (1219mm)	60" (1524mm)
-72		
72" (1829mm)		

High Force Safety Air Guns

These hand-held versions of our Super Air Nozzle Clusters provide the same strong blowing force with the added convenience of a comfortable soft grip and easy to operate spring-loaded manual valve that automatically shuts off if it is dropped. The Super Blast Safety Air Guns are ideal for long distance, wide area blowoff, cooling and drying applications. All Super Blast Safety Air Guns meet OSHA noise level and pressure requirements.



Super Blast Safety Air Gun™

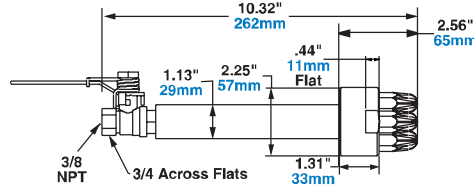
Model 1213-4 Super Blast Safety Air Gun



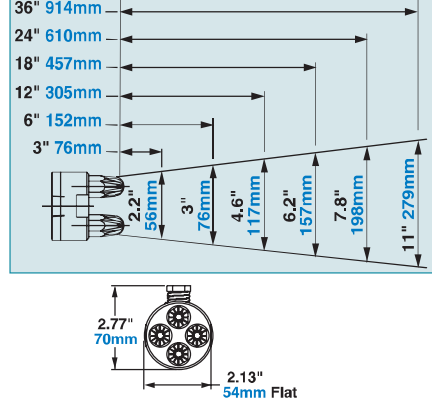
Model 1213-4 3/8 NPT female
Material: Nozzles - Zinc Aluminum alloy
 Body - Aluminum

Air Consumption		Force*		Sound Level
SCFM	SLPM	lbs	Grams	dBA
56	1585	3.2	1451	82

* Force measured at 12" (305mm) from target
 Sound level measured at 3' (914mm)
 All measurements taken at 80 PSIG (5.5 BAR)



Airflow Pattern



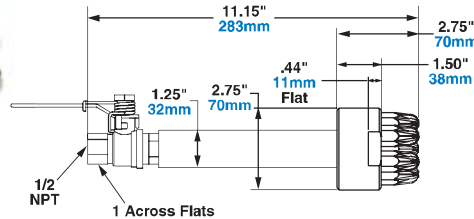
Model 1213-7 Super Blast Safety Air Gun



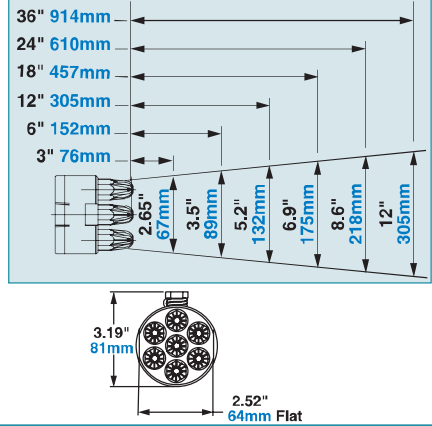
Model 1213-7 1/2 NPT female
Material: Nozzles - Zinc Aluminum alloy
 Body - Aluminum

Air Consumption		Force*		Sound Level
SCFM	SLPM	lbs	Grams	dBA
98	2773	5.7	2585	85

* Force measured at 12" (305mm) from target
 Sound level measured at 3' (914mm)
 All measurements taken at 80 PSIG (5.5 BAR)



Airflow Pattern



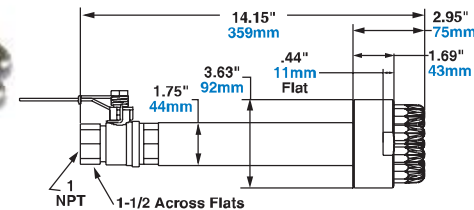
Model 1213-12 Super Blast Safety Air Gun



Model 1213-12 1 NPT female
Material: Nozzles - Zinc Aluminum alloy
 Body - Aluminum

Air Consumption		Force*		Sound Level
SCFM	SLPM	lbs	Grams	dBA
168	4754	9.8	4445	89

* Force measured at 12" (305mm) from target
 Sound level measured at 3' (914mm)
 All measurements taken at 80 PSIG (5.5 BAR)



Airflow Pattern

